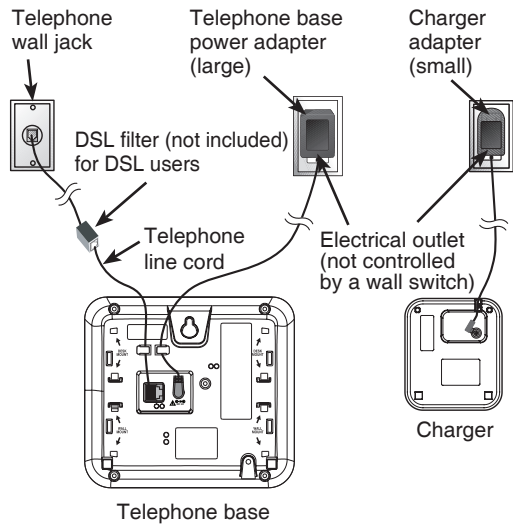


## Quick start guide

for models CS5121/CS5121-2/  
CS5121-3/CS5121-4

### Install the telephone base and chargers

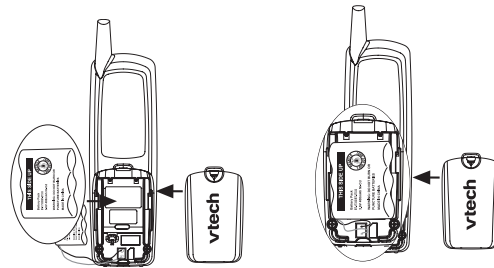
Install the telephone base as shown below.



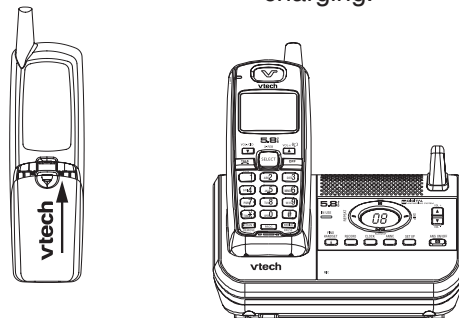
### Battery installation and charging

Install the battery as shown below. The battery may have enough charge for short calls. For optimal performance, charge the handset battery for at least 16 hours before use.

1. Insert the plug as indicated. Make sure it is plugged securely and matches the color-coded label inside the battery compartment.
2. Place the battery with the label **THIS SIDE UP** facing up and the wires inside the battery compartment.



3. Align the cover flat against the battery compartment, then slide it upwards until it clicks into place.
4. Charge the handset by placing it in the telephone base. The handset charge light on the handset will be on when charging.

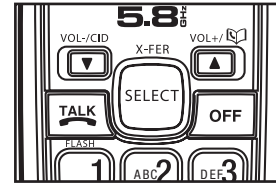


#### NOTES:

1. Use only the power adapter(s) and battery(ies) supplied with your VTech telephone.
2. For complete feature instructions, please refer to your user's manual.

### Make calls

- Press **TALK/FLASH** and then use the dial pad keys to dial a number.
- OR-
- Enter the phone number first. You can press **▼** to backspace and press **CHAN/REMOVE** to erase digits. Press **TALK/FLASH** to dial.



### Answer calls

- Press any dial pad keys (except **▼/VOL-/CID**, **▲/VOL+/M** and **OFF**) to answer an incoming call.

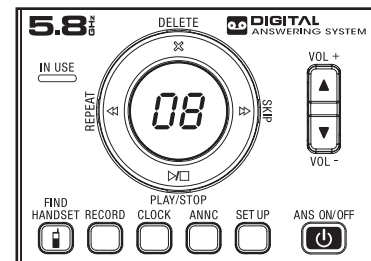
### End calls

- Press **OFF** or put the handset back to the telephone base to end a call.

### Activate the answering system

The answering system must be turned on to answer and record messages.

If the answering system is turned on, the **ANS ON/OFF** light will be on. Press **ANS ON/OFF** to turn the answering system off or on.



### Outgoing announcement

The outgoing announcement is the greeting callers hear when calls are answered by the answering system.

The telephone is preset with a greeting that answers calls with "Hello, please leave a message after the tone." You can use this preset announcement, or replace it with your own.

#### To record your own announcement:

1. Press **ANNC** while in idle mode and the system will announce "Announcement. Press **PLAY** or press **RECORD**."
2. Press **RECORD** and the system announces, "Record after the tone. Press **STOP** when you are done."
3. After the tone, speak towards the microphone at the bottom front of the telephone base from about nine inches away.
4. Press **▶/PLAY/STOP** when finished.
5. The answering system will automatically playback the newly recorded announcement and there will be a confirmation tone. Press **▶/PLAY/STOP** to stop the playback at anytime.
6. You can record your announcement again by following the steps above.

### IMPORTANT!

If your product is not working properly:

- Refer to the **Troubleshooting** section of the user's manual.
- Visit our website at [www.vtechphones.com](http://www.vtechphones.com) or call 1 (800) 595-9511. In Canada, go to [www.vtechcanada.com](http://www.vtechcanada.com) or 1 (800) 267-7377.